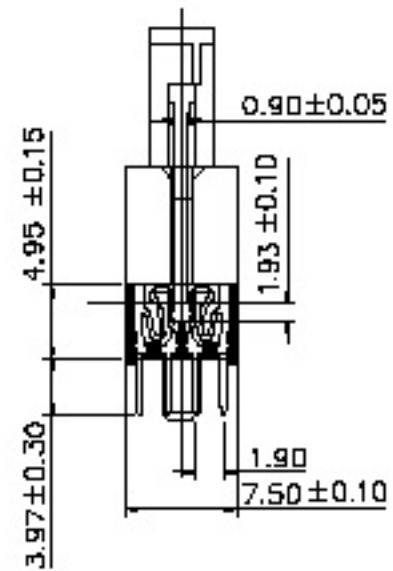
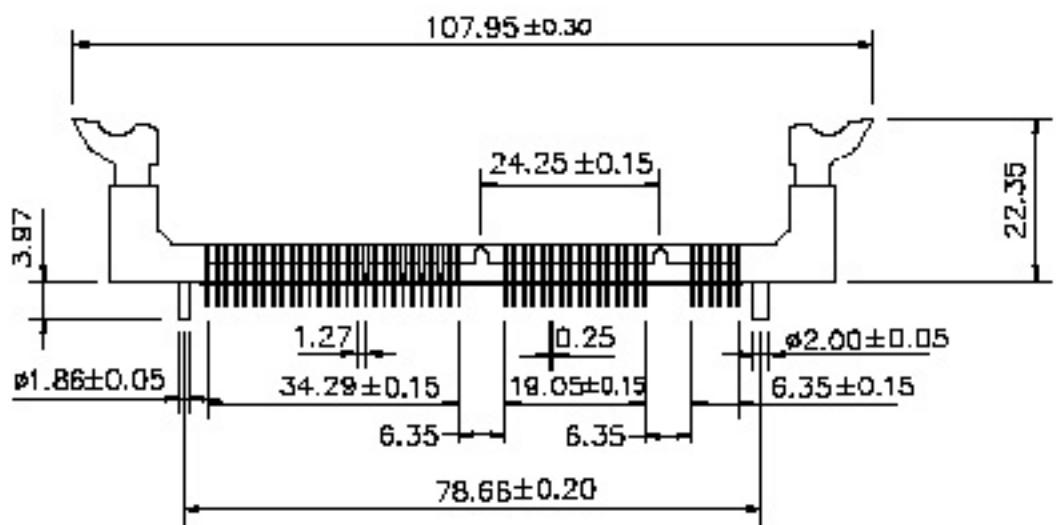
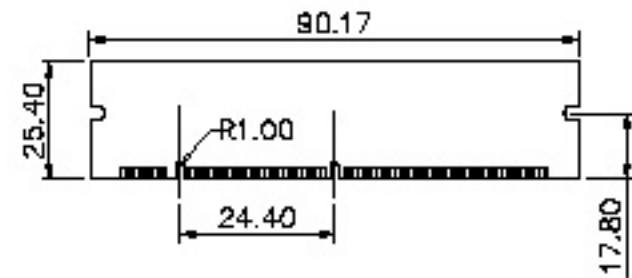


P.C.B. Layout



SPECIFICATIONS
 Contact Current Rating: 1 AMP
 Contact Resistance: 30 Milliohms Max.
 Insulation Resistance: 1000Megohms At 500V DC
 Dielectric Withstanding Voltage: 1000V AC
 Capacitance: 1pf Max.
 Durability: 25 Cycles, Min.
 Contact Engaging Force: 110g Max. Per Contact, Initial
 Contact Separating Force : 40g Min. Per Contact, Initial
 Operating And Storage Temperature: -55°C To +105°C
 Body : L.C.P. UL 94V-0
 Contact: Copper Alloy
 Gold Over Nickel Or Tin Plated
 Latch : Nylon 66 UL 94V-0



Non-Standard DRAM, 3.3 Volt

MERITEC
<http://www.meritec.co.kr>

CATEGORY 1.27mm D1mm Socket		APPROVED BY MCI		UNLESS OTHERWISE SPECIFIED TOLERANCES ARE					
PART No. DIM1000		CHECKED BY RAN		.X JOK AVG.					
DRAWING No. DIM1000		DRAWING BY LXH							
SCALE	NONE	RFY.	A	UNIT mm		APR/A	REVISIONS	CHK	DATT