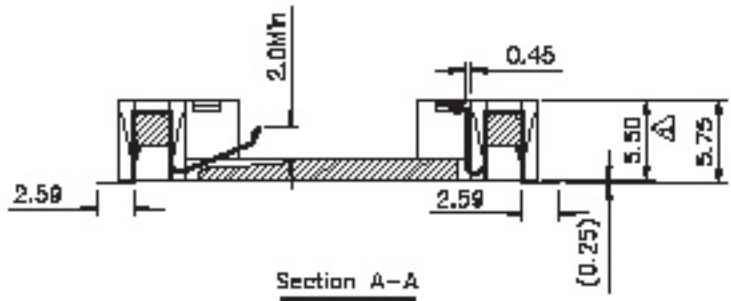
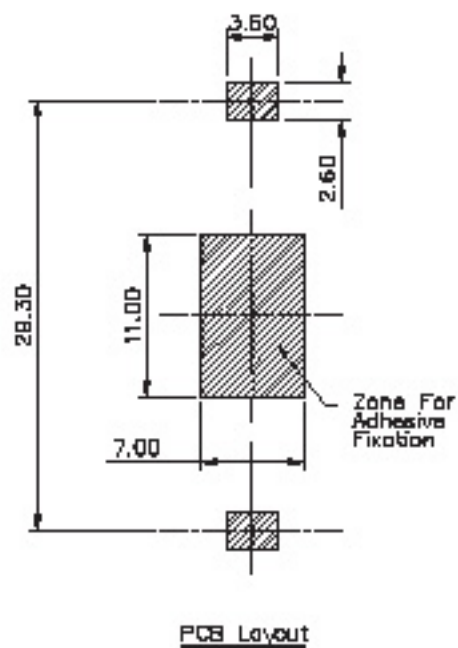
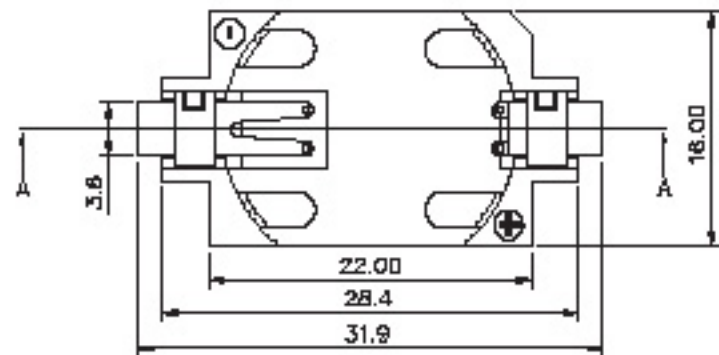


SPECIFICATIONS
 Current Rating: 2A
 Voltage Rating: 500V
 Contact Resistance: 20 Milliohms
 Insulation Resistance: 1000 Megohms
 Ambient Temperature Range: -55°C To 125°C
 Applicable: Battery CR2032
 Insulator Material: LCP 30%GF, UL 94V-0
 Contact Material: Phosphor Bronze, C5191R-H
 ⚠ Finish: Gold Flash Over Nickel



MERITEC
<http://www.meritec.co.kr>

CATEGORY Battery Holder		APPROVED BY MFI		UNLESS OTHERWISE SPECIFIED TOLERANCES ARE					
PART No. ⚠ BH18VWG		CHECKED BY BFCKY		.X ±0.30 .3X ±0.20 ANG.		⚠ A3	BH18VW-BH18VWG Modify Finish	BFCKY	08/30/2008
DRAWING No. BH18VWG		DRAWING BY H7F				⚠ A7	Modify Data	BFCKY	04/17/2005
SCALE	NONE	RFY.	A3	UNIT	mm	⚠ A1	Add Dim. 5.75	MFI	11/18/2003
						NO. REV.	REVISIONS	CHK	DATE