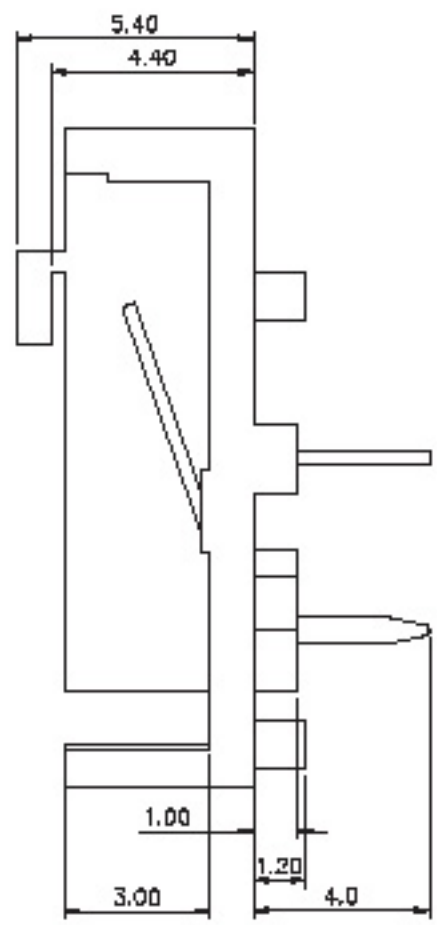
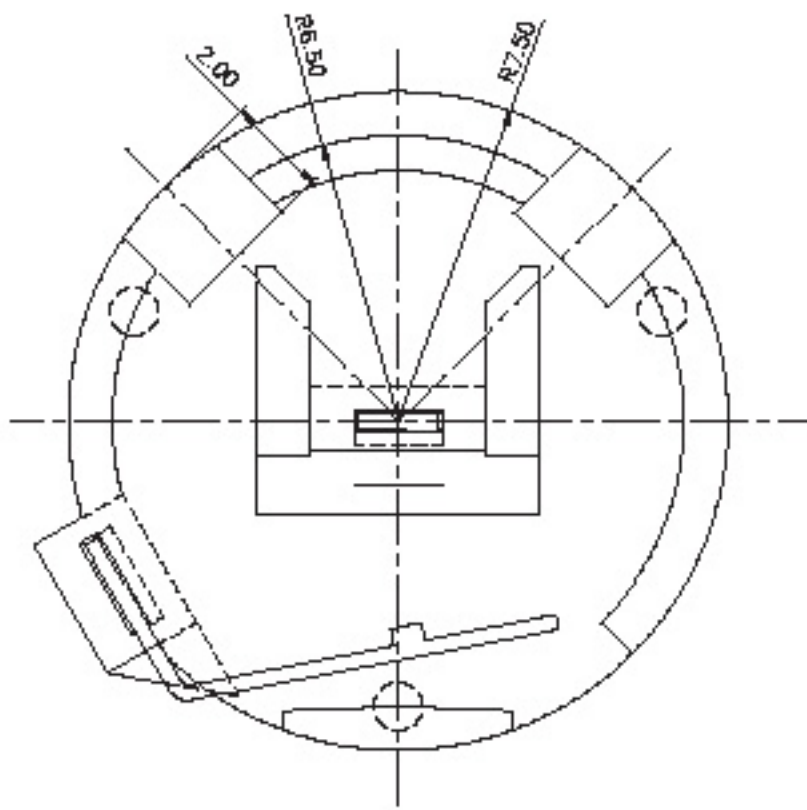
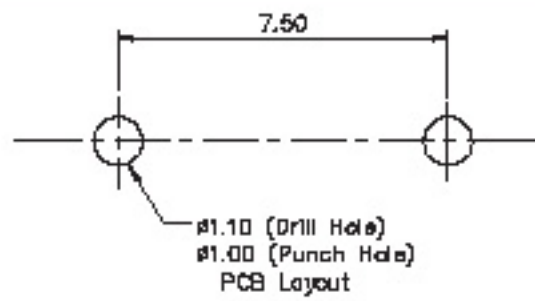


**SPECIFICATIONS**  
 Housing: PBT+30%G.F UL94V-0  
 Terminals: Phosphor Bronze  
 This Type Just Used Battery's Dim:  
 D=Ø12.50mm T=2.00mm



**MERITEC**  
<http://www.meritec.co.kr>

CATEGORY		APPROVED BY		UNLESS OTHERWISE SPECIFIED TOLERANCES ARE: K ±0.30 JK ±0.20 JG ±0.10 ANG. ±3°				
PART No. BH1295D		MFI						
DRAWING No. BH1295D		CHECKED BY BECKY						
		DRAWING BY H7F						
SCALE	NONE	RFY.	AD	UNIT	mm	NO. REV.	AD NEW RELEASE	BECKY 12/13/2009
						REVISIONS	CHK	DATE