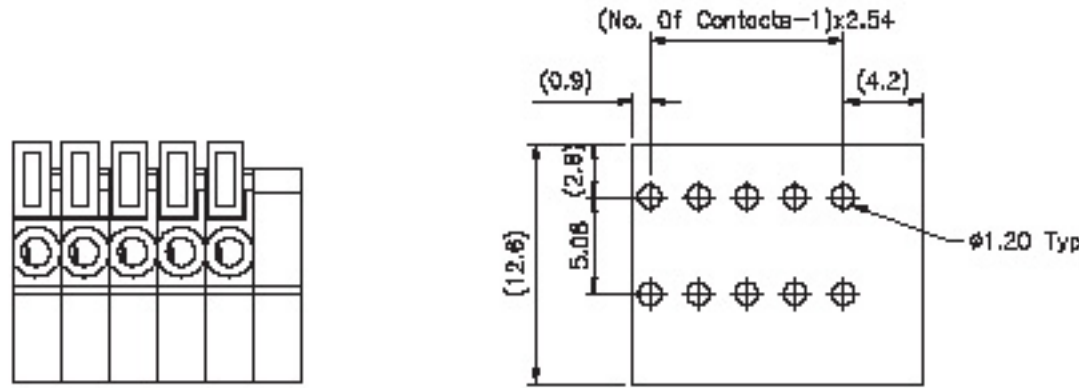
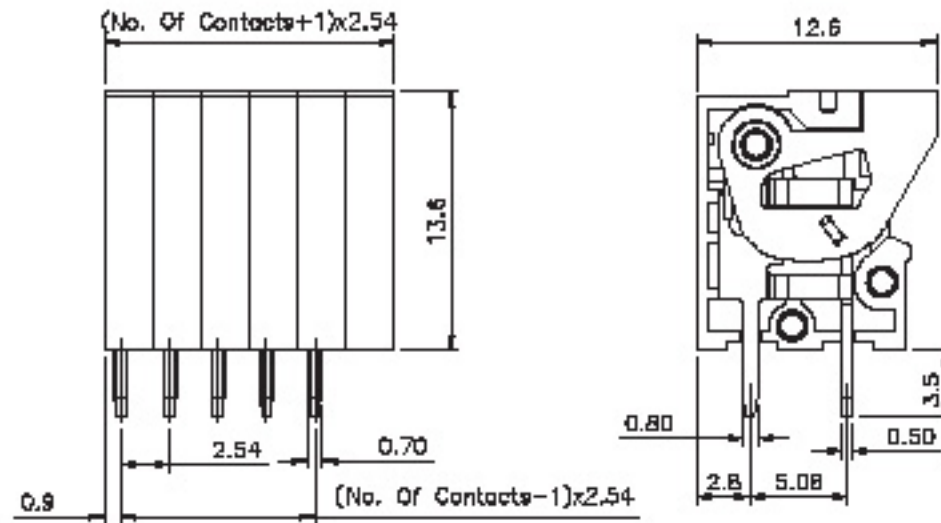


SPECIFICATIONS

Voltage Rating: 150VAC
 Current Rating: 2A
 Solid Wire(AWG): 20-28
 Stranded Wire(AWG): 20-26
 Wire Strip Length: 9-10mm
 Withstanding Voltage: 1.3KV
 Operating Temperature: -30°C To +105°C
 Soldering Temperature: 250°C±10°C/5Sec
 Terminal Body (Contact Pin): Brass
 Wire Guard: Stainless Steel
 Surface Of Solder Tail: Tin Plated
 Insulator(Housing): Thermoplastic(UL94V-0)



P.C.B Layout



MERITEC

<http://www.meritec.co.kr>

CATEGORY		APPROVED BY		UNLESS OTHERWISE SPECIFIED TOLERANCES ARE X ±0.50 Y ±0.30 Z ±0.10 X' ±1'					
PART No. TEX75XXD		MFI							
DRAWING No. TEX75XXD		H7T							
SCALE NONE		RFY.		PFGA	UNIT mm	BD	NEW RELEASE	HZT	03/32/2007
						NO. REV.	REVISIONS	CHK	DATE