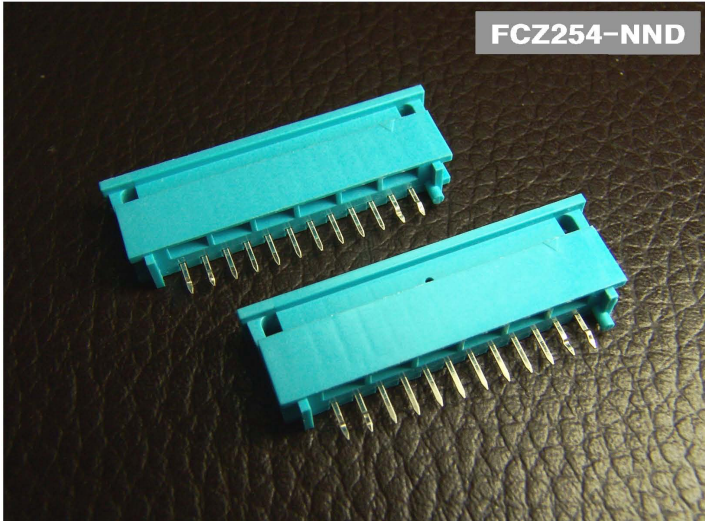


2.54mm

(0.100") PITCH CONNECTOR



FCZ254-NND

Material

I/NO	DESCRIPTION	MATERIAL
1	HOUSING	P.B.T, UL94V-0
2	ACTUATOR	P.B.T, UL94V-0
3	TERMINAL	Phosphor Bronze, Tin-plated

**FPC/FFC
Connectors**

Housing

Dip
Type

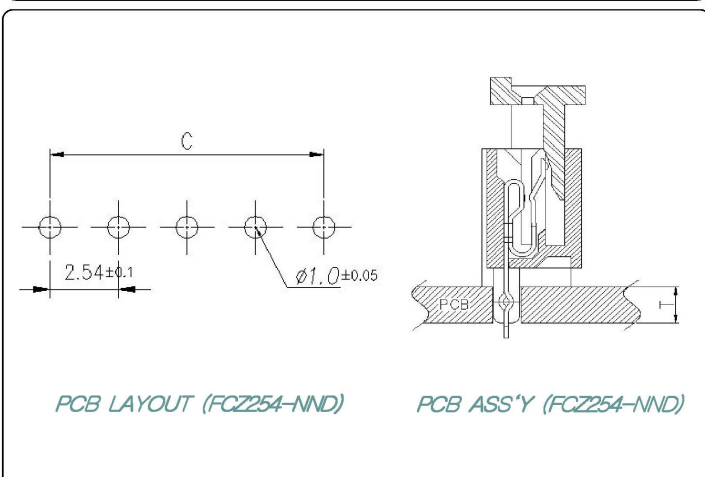
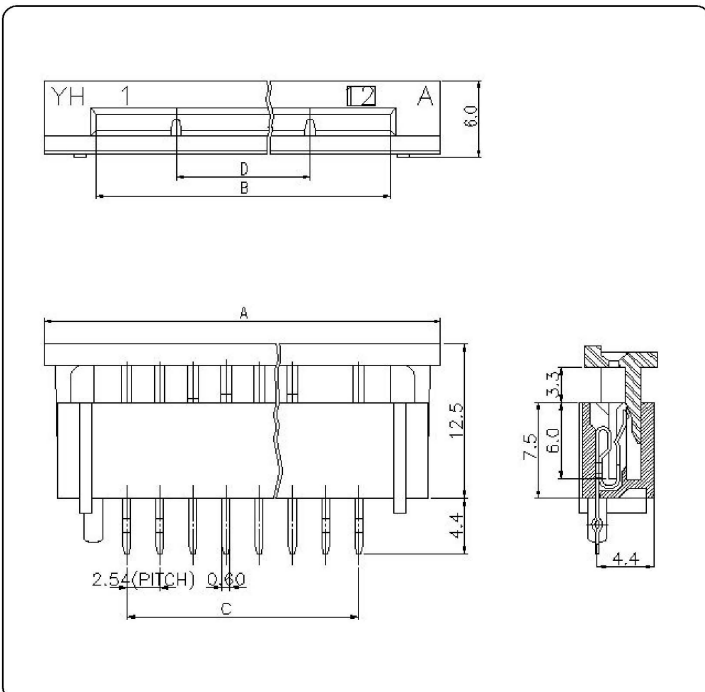
ZIF
Type

Available Pin

PARTS NO.	A	B	C	D
FCZ254-08D	30.34	23.12	17.78	10.16
FCZ254-10D	35.42	28.20	22.86	15.24
FCZ254-12D	40.50	33.28	27.94	20.32
FCZ254-13D	43.04	35.82	30.48	22.86

Specification

ITEM	SPEC
Voltage Rating	AC/DC 250V
Current Rating	AC/DC 1A
Operating Temperature	-25°C ~ +85°C
Contact Resistance	30mΩ MAX
Withstanding Voltage	AC1000V/1min
Insulation Resistance	1000MΩ MIN
Applicable Wire	-
Applicable P.C.B	1.2 ~ 1.6mm
Applicable FPC/FFC	0.30±0.03mm
Solder Height	-
Crimp Tensile Strength	-
UL FILE NO	E108706



MERITEC

<http://www.meritec.co.kr>