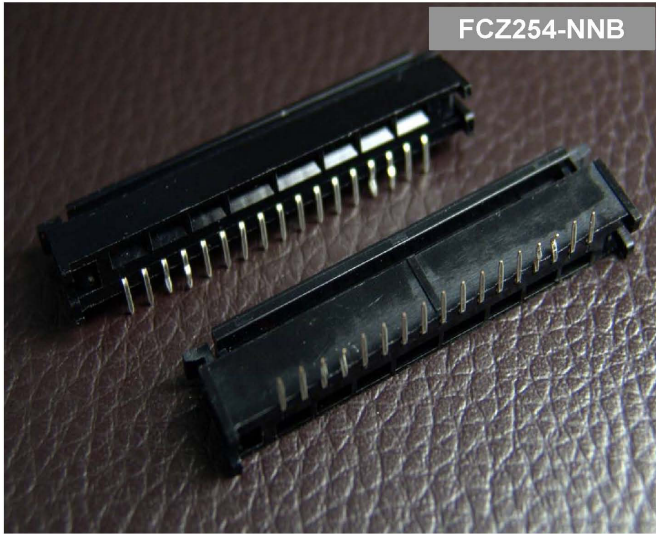


2.54mm

(0.100") PITCH CONNECTOR



Material

I/NO	DESCRIPTION	MATERIAL
1	HOUSING	PBT, UL94V-0
2	ACTUATOR	PBT, UL94V-0
3	TERMINAL	Phosphor Bronze, Tin-plated

**FPC/FFC
Connectors**

Housing

ZIF
Type

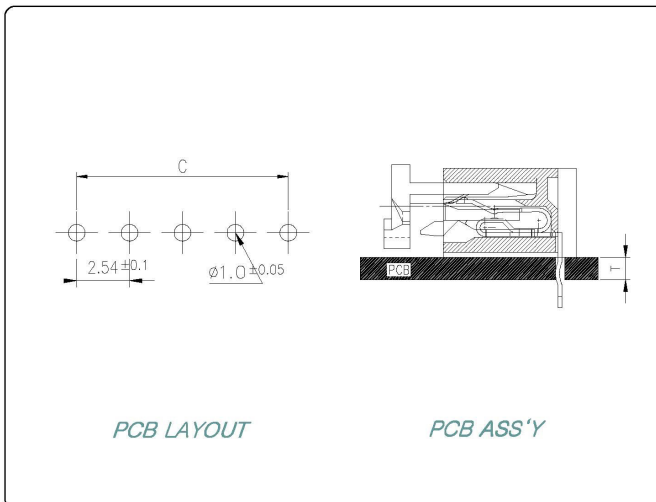
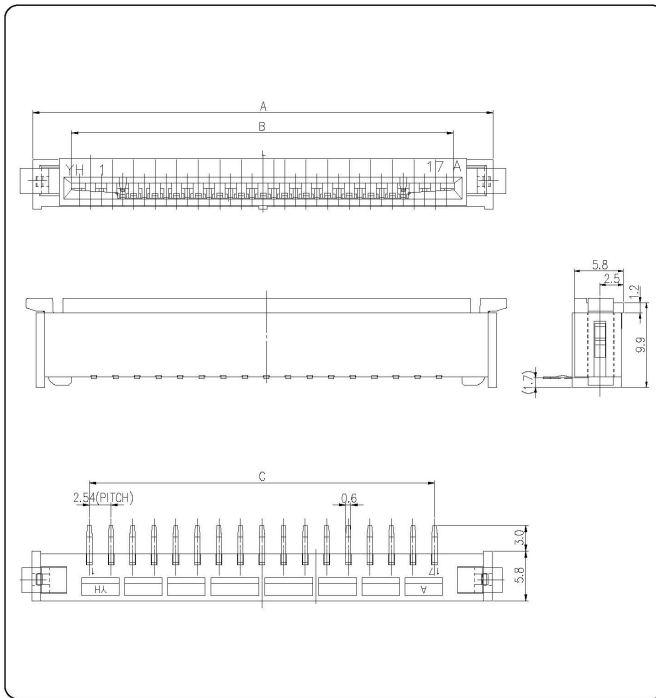
Dip
Type

Available Pin

PARTS NO.	A	B	C
FCZ254-13B	44.04	34.94	30.48
FCZ254-17B	54.20	45.10	40.64

Specification

ITEM	SPEC
Voltage Rating	AC/DC 250V
Current Rating	AC/DC 1A
Operating Temperature	-25°C~+85°C
Contact Resistance	30mΩ MAX
Withstanding Voltage	AC500V/1min
Insulation Resistance	1000MΩ MIN
Applicable Wire	-
Applicable P.C.B	1.2 ~ 1.6mm
Applicable FPC/FFC	0.08mm
Solder Height	-
Crimp Tensile Strength	-
UL FILE NO	E108706



MERITEC

<http://www.meritec.co.kr>