

# 1.25mm

(0.049") PITCH CONNECTOR

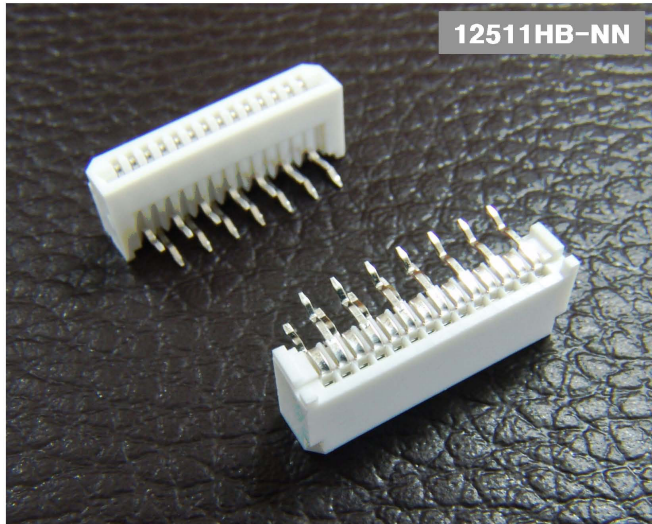
## FPC/FFC Connectors

Housing

Non-ZIF Type

Dip Type

Bottom Contact

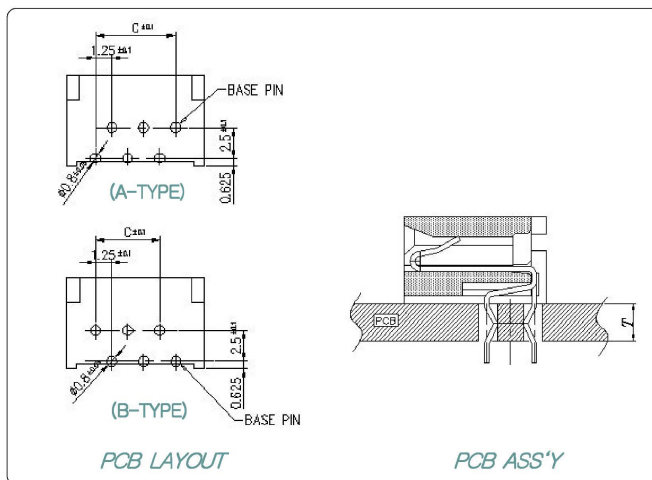
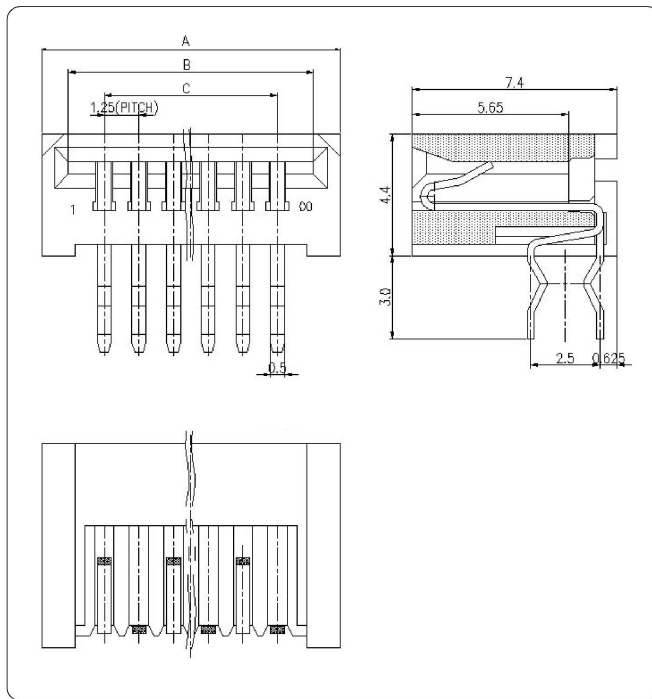


### Material

I/NO	DESCRIPTION	MATERIAL
1	HOUSING	P.B.T(GF), UL94-V
2	TERMINAL	Phosphor Bronze, Tin-plated

### Available Pin

PARTS NO.	A	B	C
12511HB-04	8.25	6.35	3.75
12511HB-05	9.50	7.60	5.00
12511HB-06	10.75	8.85	6.25
12511HB-07	12.00	10.10	7.50
12511HB-08	13.25	11.35	8.75
12511HB-09	14.50	12.60	10.00
12511HB-10	15.75	13.85	11.25
12511HB-11	17.00	15.10	12.50
12511HB-12	18.25	16.35	13.75
12511HB-13	19.50	17.60	15.00
12511HB-14	20.75	18.85	16.25
12511HB-15	22.00	20.10	17.50
12511HB-16	23.25	21.35	18.75
12511HB-17	24.50	22.60	20.00
12511HB-18	25.75	23.85	21.25
12511HB-19	27.00	25.10	22.50
12511HB-20	28.25	26.35	23.75
12511HB-21	29.50	27.60	25.00
12511HB-22	30.75	28.85	26.25
12511HB-23	32.00	30.10	27.50
12511HB-24	33.25	31.35	28.75
12511HB-25	34.50	32.60	30.00
12511HB-26	35.75	33.85	31.25
12511HB-27	37.00	35.10	32.50
12511HB-28	38.25	36.35	33.75
12511HB-29	39.50	37.60	35.00
12511HB-30	40.75	38.85	36.25
12511HB-31	42.00	40.10	37.50
12511HB-32	43.25	41.35	38.75
12511HB-33	44.50	42.60	40.00
12511HB-34	45.75	43.85	41.25
12511HB-35	47.00	45.10	42.50
12511HB-36	48.25	46.35	43.75
12511HB-37	49.50	47.60	45.00
12511HB-38	50.75	48.85	46.25
12511HB-39	52.00	50.10	47.50
12511HB-40	53.25	51.35	48.75



### Specification

ITEM	SPEC
Voltage Rating	AC/DC 250V
Current Rating	AC/DC 1A
Operating Temperature	-25°C ~ +85°C
Contact Resistance	30mΩ MAX
Withstanding Voltage	AC250V/1min
Insulation Resistance	100MΩ MIN
Applicable Wire	-
Applicable P.C.B	1.2 ~ 1.6mm
Applicable FPC/FFC	0.3±0.03mm
Solder Height	-
Crimp Tensile Strength	-
UL FILE NO	-

# MERITEC

<http://www.meritec.co.kr>