

1.00mm

(0.039") PITCH CONNECTOR

FPC/FFC Connectors

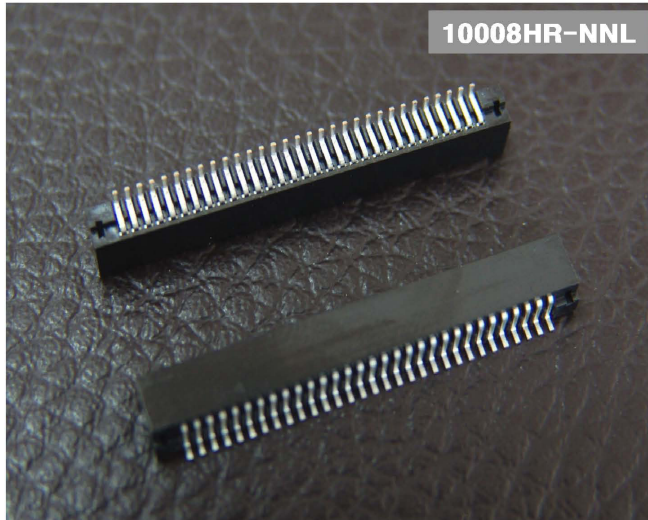
Housing

Emboss Type

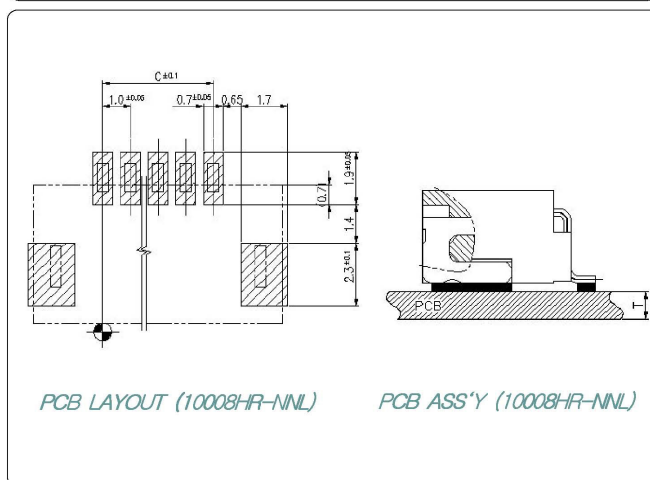
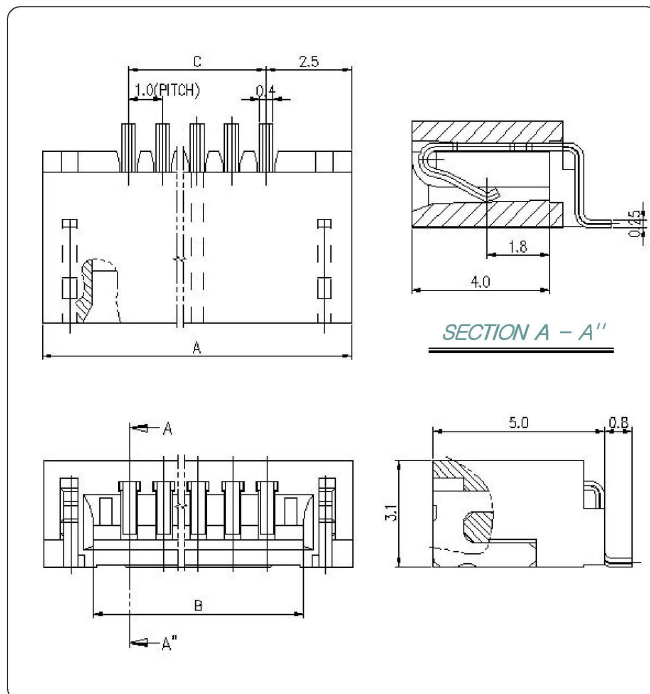
SMT Type

Top Contact

Non ZIF Type



10008HR-NNL



Material

| I/NO | DESCRIPTION | MATERIAL |
|------|-------------|-----------------------------|
| 1 | HOUSING | PPS |
| 2 | TERMINAL | Phosphor Bronze, Tin-plated |
| 3 | HOOK | Brass, Tin-plated |

Available Pin

| PARTS NO. | A | B | C |
|-------------|------|------|------|
| 10008HR-03L | 7.00 | 4.10 | 2.00 |
| 10008HR-04L | 8.00 | 5.10 | 3.00 |
| 10008HR-05L | 9.00 | 6.10 | 4.00 |
| 10008HR-06L | 10.0 | 7.10 | 5.00 |
| 10008HR-07L | 11.0 | 8.10 | 6.00 |
| 10008HR-08L | 12.0 | 9.10 | 7.00 |
| 10008HR-09L | 13.0 | 10.1 | 8.00 |
| 10008HR-10L | 14.0 | 11.1 | 9.00 |
| 10008HR-11L | 15.0 | 12.1 | 10.0 |
| 10008HR-12L | 16.0 | 13.1 | 11.0 |
| 10008HR-13L | 17.0 | 14.1 | 12.0 |
| 10008HR-14L | 18.0 | 15.1 | 13.0 |
| 10008HR-15L | 19.0 | 16.1 | 14.0 |
| 10008HR-16L | 20.0 | 17.1 | 15.0 |
| 10008HR-17L | 21.0 | 18.1 | 16.0 |
| 10008HR-18L | 22.0 | 19.1 | 17.0 |
| 10008HR-19L | 23.0 | 20.1 | 18.0 |
| 10008HR-20L | 24.0 | 21.1 | 19.0 |
| 10008HR-21L | 25.0 | 22.1 | 20.0 |
| 10008HR-22L | 26.0 | 23.1 | 21.0 |
| 10008HR-23L | 27.0 | 24.1 | 22.0 |
| 10008HR-24L | 28.0 | 25.1 | 23.0 |
| 10008HR-25L | 29.0 | 26.1 | 24.0 |
| 10008HR-26L | 30.0 | 27.1 | 25.0 |
| 10008HR-27L | 31.0 | 28.1 | 26.0 |
| 10008HR-28L | 32.0 | 29.1 | 27.0 |
| 10008HR-29L | 33.0 | 30.1 | 28.0 |
| 10008HR-30L | 34.0 | 31.1 | 29.0 |
| 10008HR-40L | 44.0 | 41.1 | 39.0 |

Specification

| ITEM | SPEC |
|------------------------|-------------|
| Voltage Rating | AC/DC 50V |
| Current Rating | AC/DC 0.5A |
| Operating Temperature | -25°C~+85°C |
| Contact Resistance | 30mΩ MAX |
| Withstanding Voltage | AC500V/1min |
| Insulation Resistance | 100MΩ MIN |
| Applicable Wire | - |
| Applicable P.C.B | 0.8 ~ 1.6mm |
| Applicable FPC/FFC | 0.30±0.03mm |
| Solder Height | 0.15mm |
| Crimp Tensile Strength | - |
| UL FILE NO | - |

MERITEC

<http://www.meritec.co.kr>