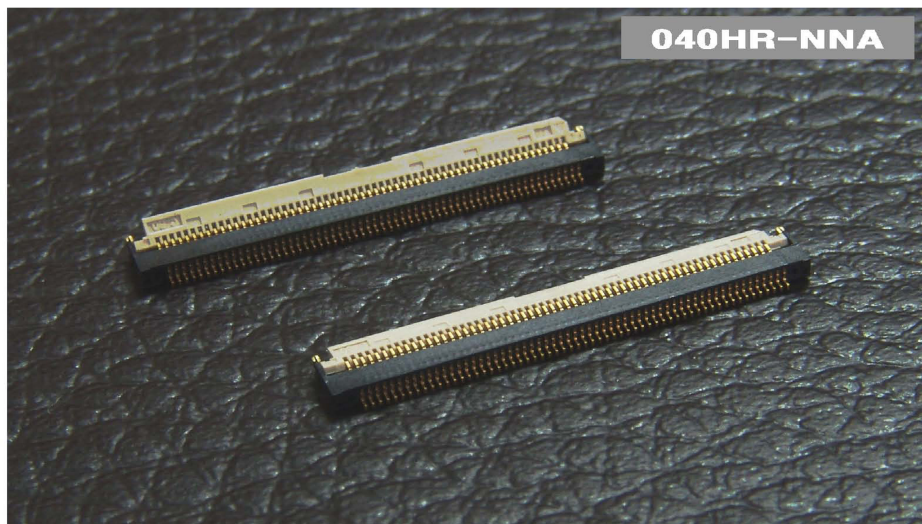


0.40mm (0.016") PITCH CONNECTOR



040HR-NNA

Material

I/NO	DESCRIPTION	MATERIAL
1	HOUSING	LCP(BK), UL94V-0
2	ACTUATOR	LCP(BK), UL94V-0
3	TERMINAL	Phosphor Bronze, Au-plated
4	HOOK	Phosphor Bronze, Au-plated

**FPC/FFC
Connectors**

Housing

Emboss
Type

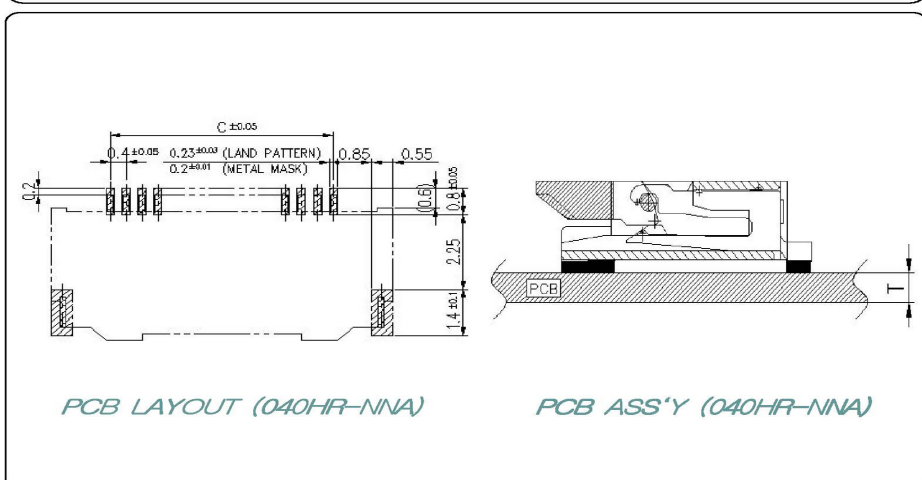
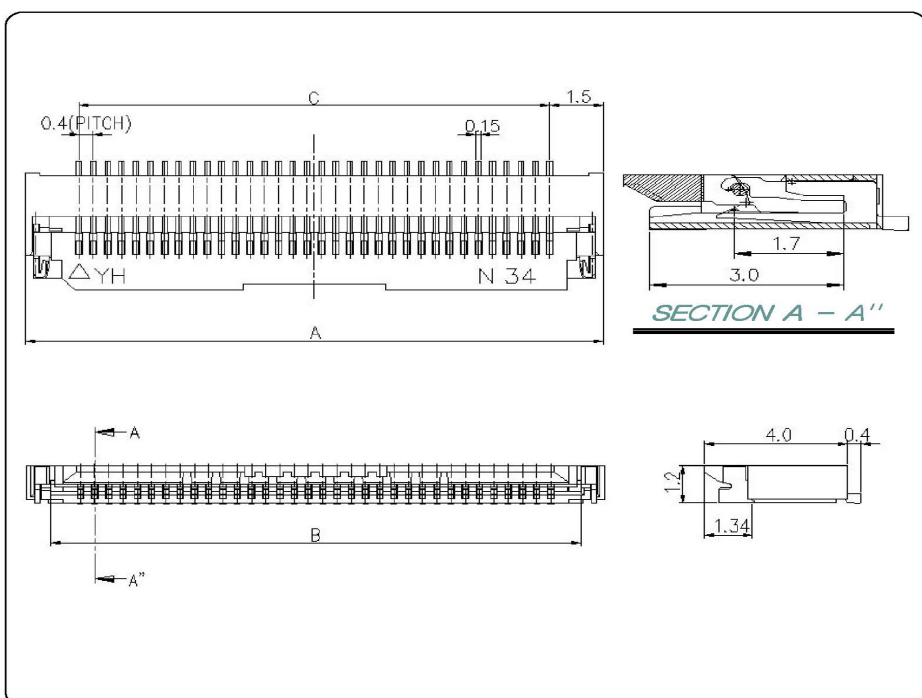
SMT
Type

ZIF
Type

Bottom
Contact

Available Pin

PARTS NO.	A	B	C
040HR-04A	4.20	2.80	1.20
040HR-06A	5.00	3.60	2.00
040HR-08A	5.80	4.40	2.80
040HR-09A	6.20	4.80	3.20
040HR-13A	7.80	6.40	4.80
040HR-15A	8.60	7.20	5.60
040HR-17A	9.40	8.00	6.40
040HR-20A	10.6	9.20	7.60
040HR-21A	11.0	9.60	8.00
040HR-24A	12.2	10.8	9.20
040HR-27A	13.4	12.0	10.4
040HR-30A	14.6	13.2	11.6
040HR-34A	16.2	14.8	13.2
040HR-40A	18.2	17.2	15.6
040HR-50A	22.6	21.2	19.6
040HR-54A	24.2	22.8	21.2
040HR-57A	25.4	24.0	22.4
040HR-60A	26.6	25.2	23.6



Specification

ITEM	SPEC
Voltage Rating	AC/DC 40V
Current Rating	AC/DC 0.4A
Operating Temperature	-25°C ~ +85°C
Contact Resistance	30mΩ MAX
Withstanding Voltage	AC120V/1min
Insulation Resistance	100MΩ MIN
Applicable Wire	-
Applicable P.C.B	0.8 ~ 1.6mm
Applicable FPC/FFC	0.20±0.02mm
Solder Height	0.15mm
Crimp Tensile Strength	-
UL FILE NO	-

MERITEC

<http://www.meritec.co.kr>