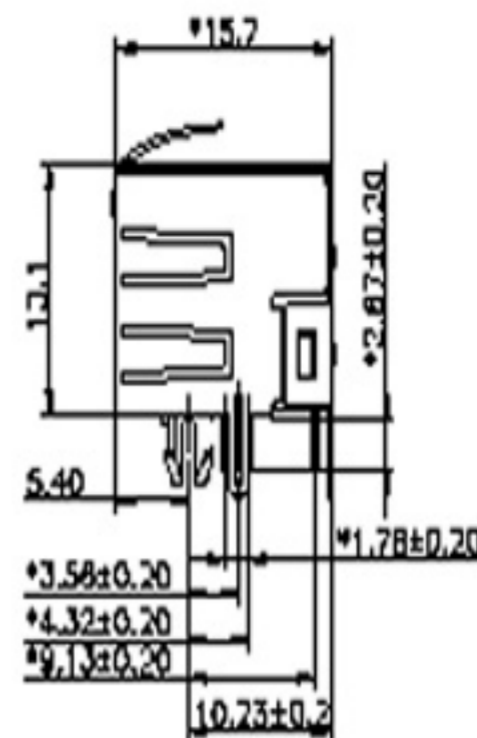
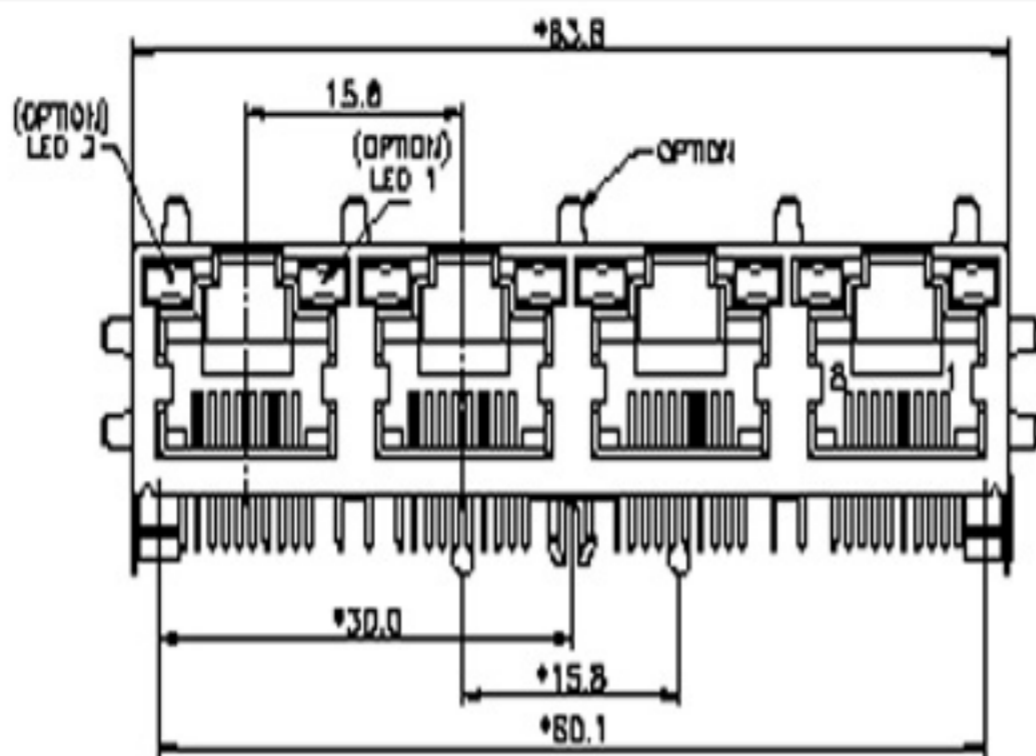


RoHS

THIS IS A RoHS COMPLIANT COMPONENT PRODUCT.



NOTES:

ELECTRICAL:

1. VOLTAGE RATING : 120 VAC RMS.
2. CURRENT RATING : 1.5 AMP.
3. CONTACT RESISTANCE : 30 MILLIOHMS MAX.
4. INSULATION RESISTANCE: 1000 MEGOHMS MIN @ 500 VDC.
5. DIELECTRIC STRENGTH : 1000 VAC RMS 50Hz, 1MIN.
6. LED RATINGS: FORWARD VOLTAGE: 2.2 VOLTS TYPICAL.
REVERSE VOLTAGE: 5 VOLTS MAXIMUM.
7. OPERATING: 750 CYCLES MIN.

MECHANICAL:

1. HOUSING MATERIAL : HIGH TEMP DR POLYESTER UL94V-0 BK.
2. INSERT MATERIAL : GLASS FILLED POLYESTER UL94V-0 BK.
3. BACK PLATE MATERIAL : GLASS FILLED POLYESTER UL94V-0 BK.
4. LED SIZE : 3.05*1.85*7.0, P=2.54mm.
5. SHIELD MATERIAL : COPPER ALLOY 0.25mm THICKNESS NICKEL PLATING.
6. CONTACT MATERIAL : PHOSPHOR BRONZE 0.35mm THICKNESS
7. PLATING : GOLD PLATING OVER NICKEL.
8. PCB RETENTION PRE-SOLDER : 1 LB MIN.
9. PCB RETENTION POST-SOLDER : 10 LBS MIN.

ENVIRONMENTAL:

1. STORAGE : -40°C TO +85°C.
2. OPERATION : 0°C TO 70°C.
3. WAVE SOLDERING TEMPERATURE: 205~260°C (8~10 SECONDS)

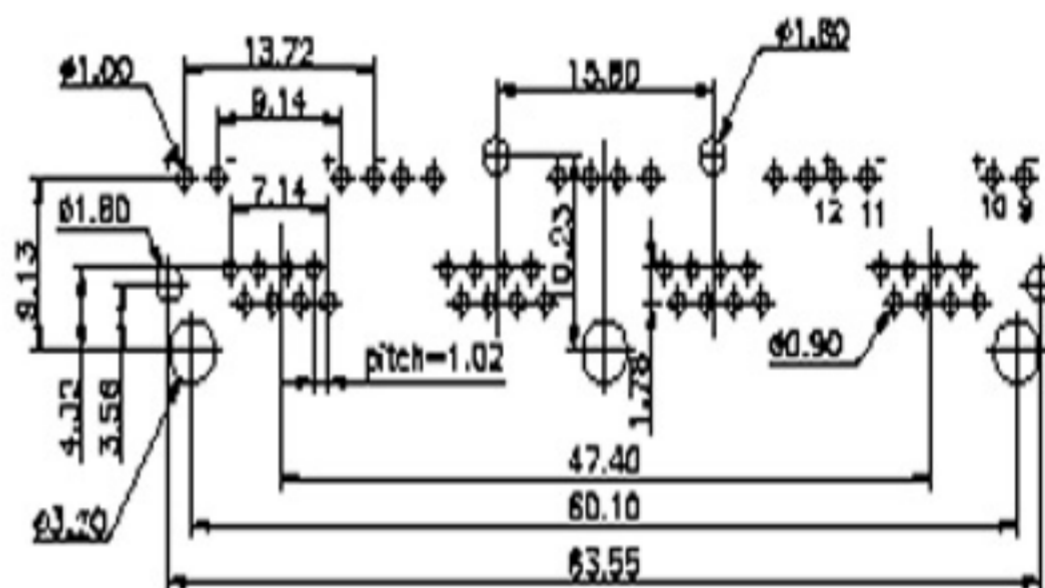
MATES WITH MODULAR PLUG CONFORMING TO

FCC PART 68, SUBPART F,

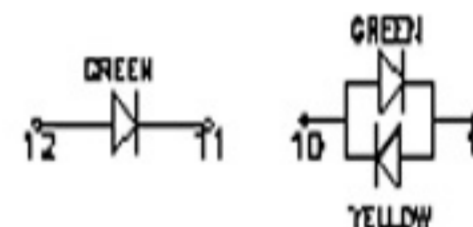
PART NUMBER: N3J46-022-02

- 1-3u*
- 2-8u*
- 3-15u*
- 4-30u*
- 5-50u*

- 1-LED1:GREEN,LED2:GREEN W/TOP&SIDE TABS HIGH TEMP.
- 2-LED1:G+Y,LED2:GREEN W/TOP&SIDE TABS HIGH TEMP.
- 3-LED1:G+Y,LED2:GREEN W/O TABS POLYESTER.
- 4-LED1:G+Y,LED2:G+Y W/TOP&SIDE HIGH TEMP.
- 5-LED1:GREEN,LED2:YELLOW W/TOP&SIDE TABS POLYESTER
- 6-LED1:GREEN,LED2:YELLOW W/TOP&SIDE TABS HIGH TEMP.
- 7-LED1:GREEN,LED2:YELLOW W/O TOP&SIDE TABS HIGH TEMP.
- 8-LED1:GREEN,LED2:YELLOW W/O TOP&SIDE TABS POLYESTER
- 9-LED1:GREEN,LED2:G+Y W/TOP&SIDE POLYESTER.



PCB Layout
Component Side Shown



MARK	ESN NO.	REVISION RECORD	DRAWN	DATE
HA		ADD NEW P/H(3)	SHL	08/10/08
HA		ADD NEW P/H(3)	SHL	03/31/08
HA		ADD NEW P/H(3)	LEBOR	08/22/07
XD		NEW DESIGN	LIYGER	04/11/07
SEE NOTE		1X4 RJ45 LED JACK FTP		
PART NO.		SEE NOTE		
DOC NO.		N3J46022		

MERITEC