

Pitch: 1.27mm (0.05")

M E R I T E C

Female Header Single Row Straight Type

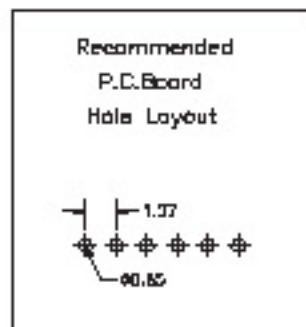
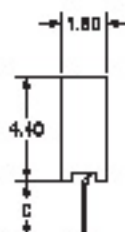
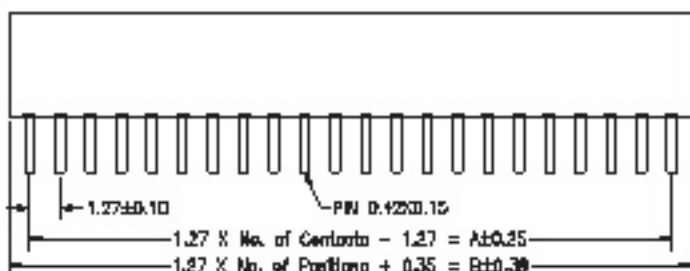
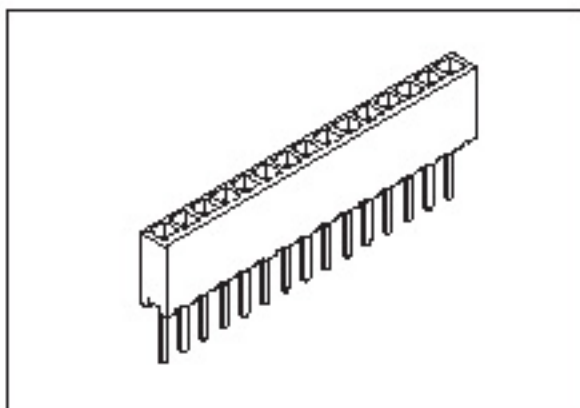
G SEA102 Series

Specifications

Current Rating: 1.0 Ampere
 Insulation Resistance: 1000MΩ Min.
 Dielectric Withstanding: 300V AC
 Contact Resistance: 20mΩ Max.
 Operating Temperature: -40°C to +105°C

Materials

Contact Material: Copper Alloy
 Insulation Material: Polyester, UL 94V-0
 Nylon-BT



No. of PIN/ROW	Dimension Information		No. of PIN/ROW	Dimension Information		No. of PIN/ROW	Dimension Information		No. of PIN/ROW	Dimension Information	
	A	B		A	B		A	B		A	B
-	-	-	13	15.24	16.86	24	29.21	30.83	30	36.83	38.45
03	2.54	4.18	14	16.51	18.13	25	30.48	32.10	31	38.10	39.72
04	3.81	5.43	15	17.78	19.40	26	31.75	33.37	32	38.37	40.09
05	5.08	6.70	16	19.05	20.67	27	33.02	34.64	33	40.64	42.26
06	6.35	7.97	17	20.32	21.94	28	34.29	35.91	34	41.91	43.53
07	7.62	9.24	18	21.59	23.21	29	35.56	37.18	35	43.18	44.80
08	8.89	10.51	19	22.86	24.48	30	36.83	38.45	36	44.45	46.07
09	10.16	11.78	20	24.13	25.75	28	31.75	33.37	37	45.72	47.34
10	11.43	13.05	21	25.40	27.02	27	33.02	34.64	38	46.99	48.61
11	12.70	14.32	22	26.67	28.29	28	34.29	35.91	39	48.26	49.88
12	13.97	15.59	23	27.94	29.56	29	35.56	37.18	40	49.53	51.15

Ordering Information

G SFA102

-

XX

XX

A

XX

No. of Pins per Row
03 ~ 40

Contact Plating
 01 : Tin
 02 : Gold Flash
 Duplex Plating
 05 : Gold Flash/Tin
 ...

Pin Length (C)
01=2.30

C: Custom Length Available