

SPECIFICATIONS

Current Rating: 1A Max.

Voltage Rating: 30V AC RMS Max.

Dielectric Withstanding Voltage: AC 100V For 1 Minute

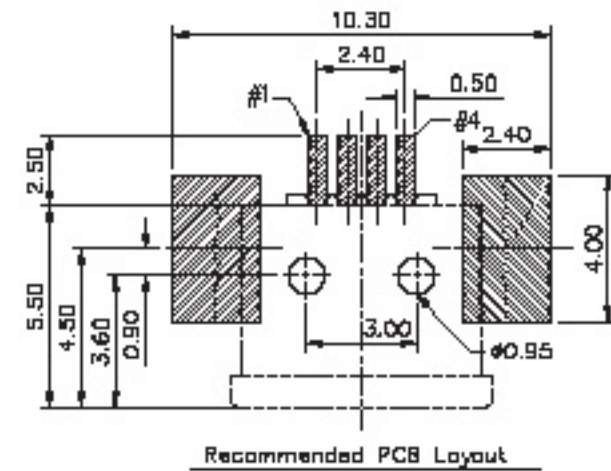
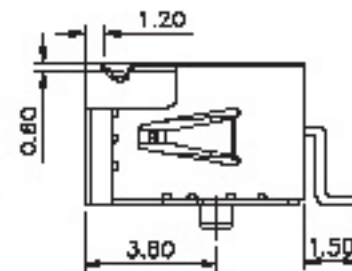
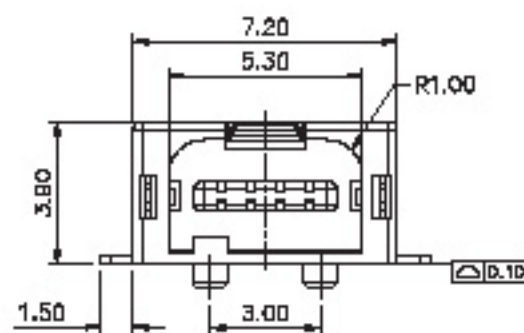
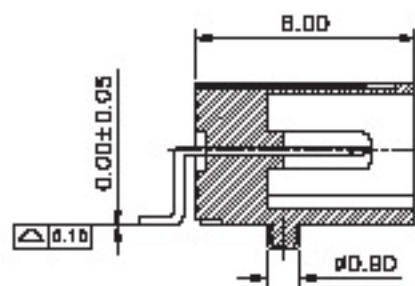
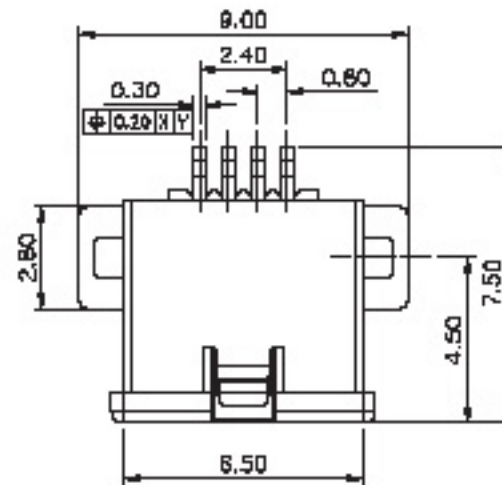
Insulation Resistance: 100 Megohms Min.

Contact Resistance: 50 Milliohms Max.

Total Mating Force: 3.57kgf Max.

Total Unmating Force: 0.50kgf Min.

Temperature Range: 0°C To +50°C

Contact: Copper Alloy, $t=0.25\text{mm}$ Insulator: High Temperature Thermoplastic
With Glass Fiber, UL 94V-0Shell: Copper Alloy, $t=0.25\text{mm}$ 

MERITEC

<http://www.meritec.co.kr>

CATEGORY		APPROVED BY		UNLESS OTHERWISE SPECIFIED TOLERANCES ARE X ±0.30 OX ±0.25 ANG. ±1°
PART No. MSB1X045W		MFI		
DRAWING No. MSB1X045W		CHECKED BY BCKY		
SCALE		DRAWING BY H7F		
NONE	RFY.	AD		UNIT mm

AD	NEW RELEASE	BCKY	05/06/2005
NO. REV.	REVISIONS	CHK	DATE