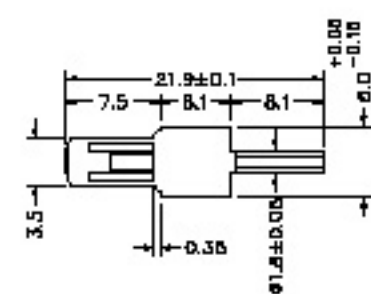
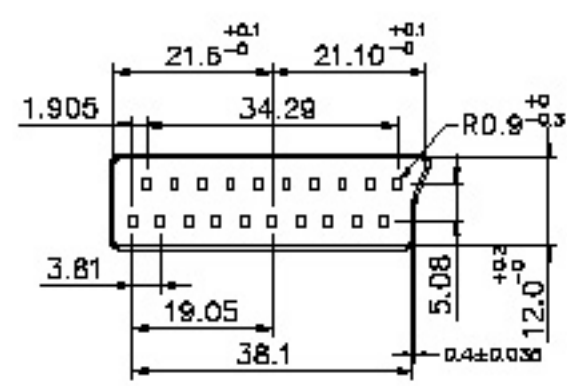
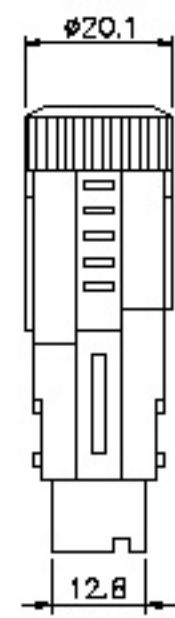
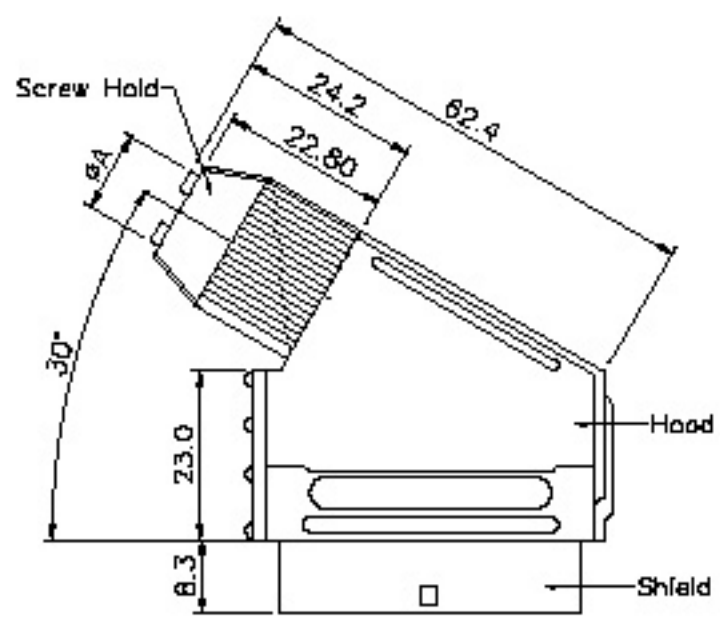


SPECIFICATIONS
 Insulator: PBT&Glass-Fibre,UL 94V-0
 Contact: Brass, Tin Plating
 Hood: Polypropylene
 Screw Hold: Polypropylene
 ØA Dimension(ID): Ø9.0,Ø11.0,Ø13.0mm
 Shield: Stainless Steel(AISI430)
 Bronze(1/2H)With Nickel Plating
 On Shield Surface



MERITEC
<http://www.meritec.co.kr>

CATEGORY Searl 21 Way Jack		APPROVED BY MCI		UNLESS OTHERWISE SPECIFIED TOLERANCES ARE					
PART No. SC21PAXX		CHECKED BY RAN		.X ±0.30					
DRAWING No. SC21PAXX		DRAWING BY MDF		JNK ±0.25					
SCALE NONE		REV. A1		XXX					
				UNIT MM					
				ARFA		SC21PAXX - SC21PAXX	MCI	2003/08/12	
						REVISIONS	CHK	DATT	