

△ SPECIFICATIONS

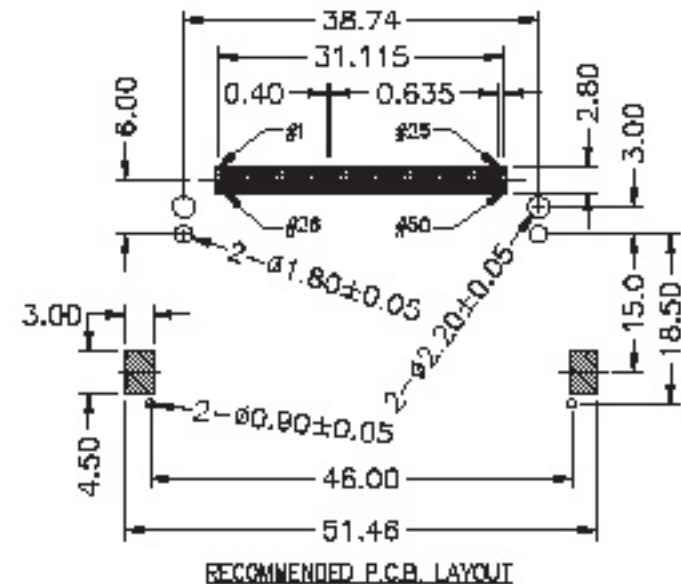
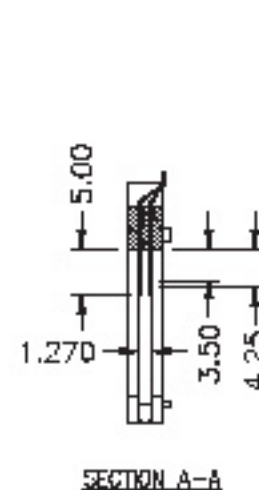
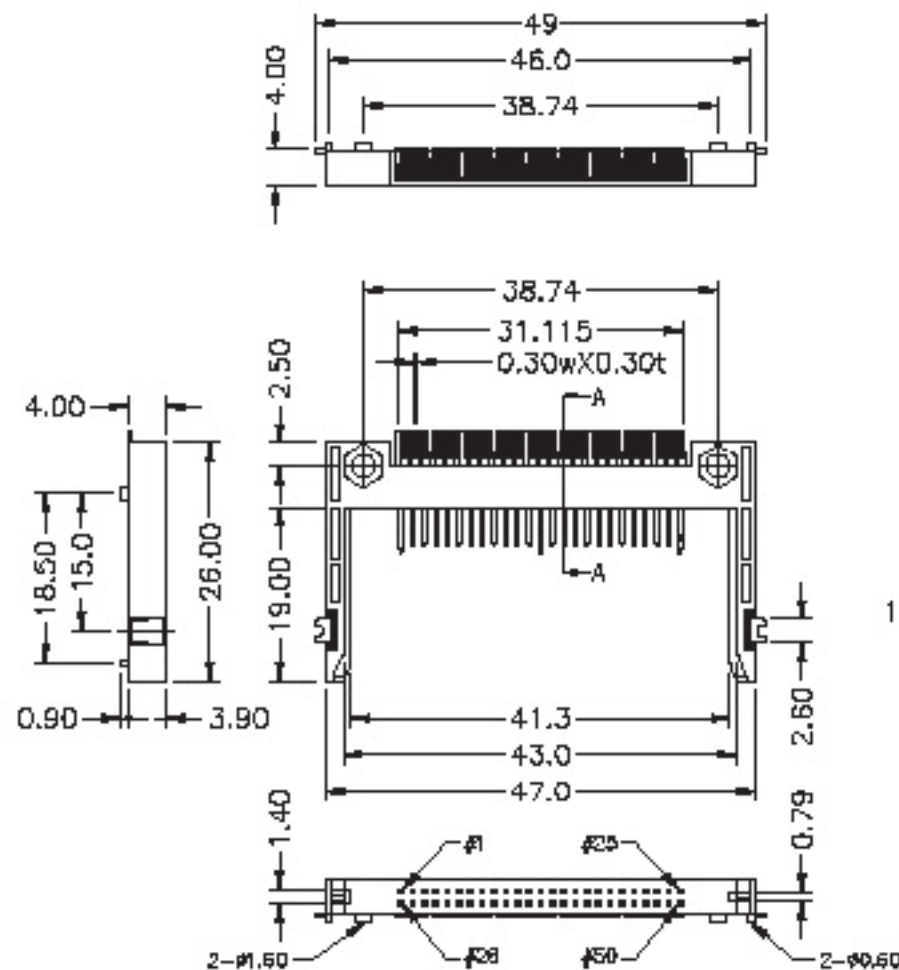
Housing: LCP

Contact: Phosphor Bronze, Nickel Plated

Contact Area: Select Gold Over Nickel Plated

Solder Tail: Tin Plated Over Nickel Plated

Pad: Brass, Tin Plated Over Ni Plated



TABLE

Pin Type	Interface Dim.	Pin No.
Detect	3.5mm	25, 26
General	4.25mm	The Others
Power	5.0mm	01, 13, 38, 50

MERITEC

<http://www.meritec.co.kr>

CATEGORY		APPROVED BY		UNLESS OTHERWISE SPECIFIED TOLERANCES ARE
PART No.	CFC50PW001S3BP	MFI		
DRAWING No.	CFC50PW001S3BP	CHK'D BY	BCKY	.XX ±0.20
SCALE	NONE	DRAWING BY	TCF	.XXX ±0.10
RFY.		UNIT	A1	mm

NO.	REV.	REVISIONS	CHK	DATE
	A1	Modify Specifications	SHIN	08/14/2007
	AD	NEW RELEASE		