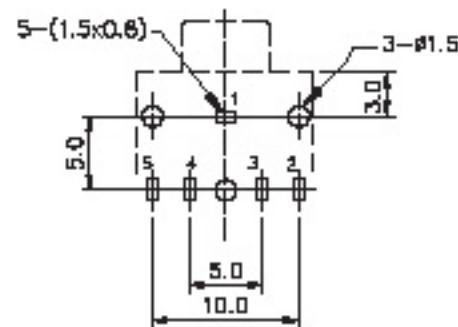
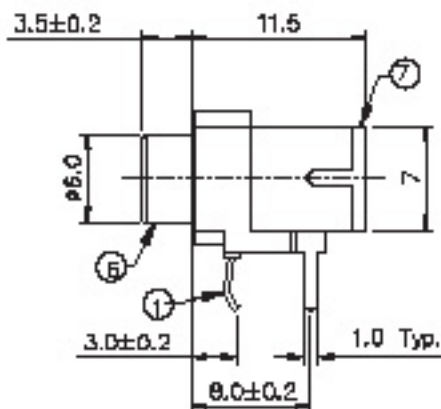
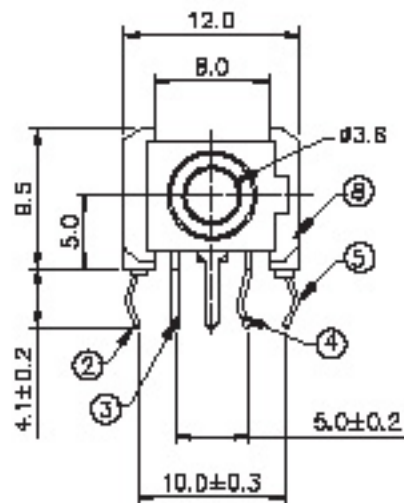


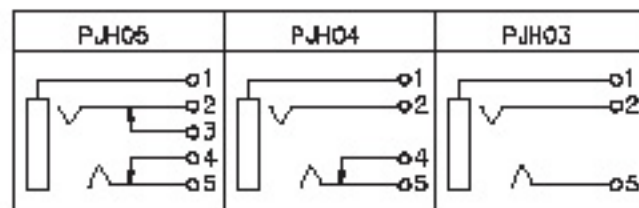
△ SPECIFICATIONS

Rating: DC 30V, 0.5A
 Contact Resistance: 30 Milliohms Max.
 Insulation Resistance: 100 Megohms Min. (DC 250V)
 Withstand Voltage: 500VAC
 Insertion And Extraction Force: 3-20N
 Life Test: 5,000 Cycles



PCB Layout
Top View

Schematic



△

No.	Description	Q'ty	Material	Plating
1	1# Contact Foot	1	H62 Brass	Ag-Plating
2	2# Contact Foot	1	Phosphor Bronze	Ag-Plating
3	3# Contact Foot	1	H62 Brass	Ag-Plating
4	4# Contact Foot	1	H62 Brass	Ag-Plating
5	5# Contact Foot	1	Phosphor Bronze	Ag-Plating
8	Axis Support	1	H59 Brass	Ni-Plating
7	Cover	1	PBT	
8	Housing	1	PBT	

△

MERITEC

<http://www.meritec.co.kr>

CATGDRY		APPROVED BY		UNLESS OTHERWISE SPECIFIED TOLERANCES ARE X. ±0.15 X ±0.15 ANG. ±1.5°
PART No.		CHECKED BY		
DRAWING No.		DRAWING BY		
SCALE	NONE	RFY.	A1	

△ A1	Verify Spec. & Material & Plating	BECKY	05/27/2005
△ AD	NEW RELEASE	BECKY	08/02/2004
NO. REV.	REVISIONS	CHK	DATE