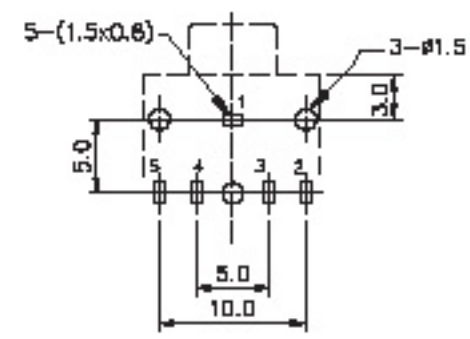
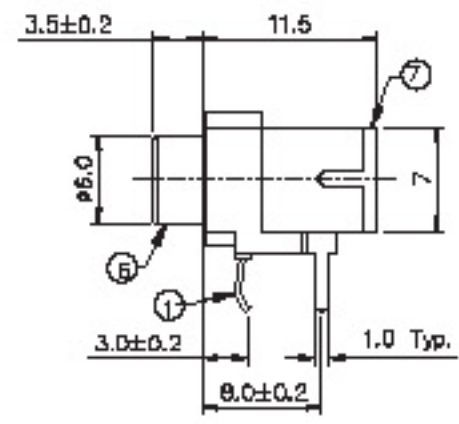
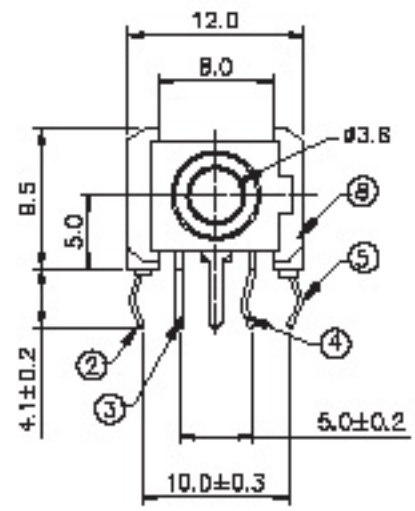
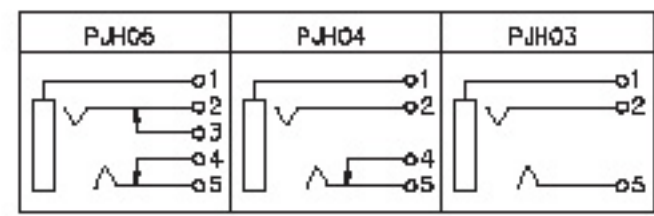


△ SPECIFICATIONS
 Rating: DC 30V, 0.5A
 Contact Resistance: 30 Milliohms Max.
 Insulation Resistance: 100 Megohms Min. (DC 250V)
 Withstand Voltage: 500VAC
 Insertion And Extraction Force: 3-20N
 Life Test: 5,000 Cycles



PCB Layout
Top View

Schematic



No.	Description	Q'ty	Material	Plating
1	1# Contact Foot	1	H62 Brass	Ag-Plating
2	2# Contact Foot	1	Phosphor Bronze	Ag-Plating
3	3# Contact Foot	1	H62 Brass	Ag-Plating
4	4# Contact Foot	1	H62 Brass	Ag-Plating
5	5# Contact Foot	1	Phosphor Bronze	Ag-Plating
8	Axis Support	1	H59 Brass	Ni-Plating
7	Cover	1	PBT	
8	Housing	1	PBT	

MERITEC
<http://www.meritec.co.kr>

CATGDRY		APPROVED BY		UNLESS OTHERWISE SPECIFIED TOLERANCES ARE					
PART No. PJHXX		MM		X. ±0.15					
DRAWING No. PJHXX		CHECKED BY		X ±0.15					
SCALE		DRAWING BY		ANG. ±1.5°					
NONE		TCF		UNIT mm					
RFY.		A1		NO. REV.		REVISIONS		CHK DATE	