

## SPECIFICATIONS

Rating: DC 30V 0.5A

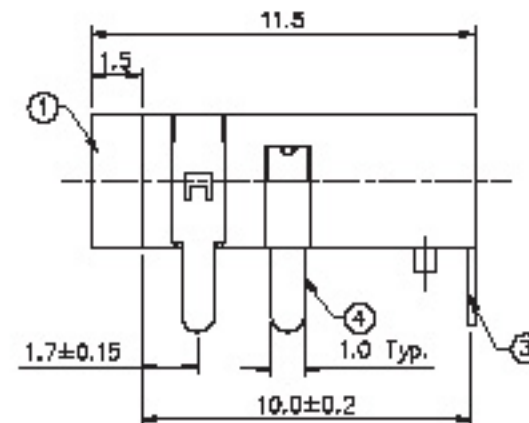
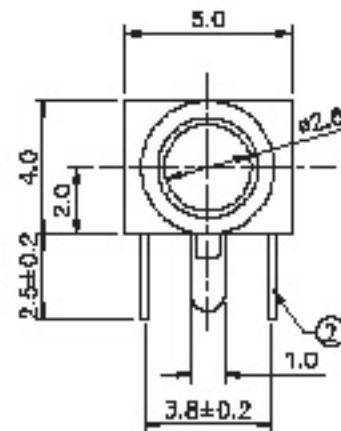
Contact Resistance: 30 Milliohms Max.

Insulation Resistance: 100 Megohms Min. (DC 250V)

Withstand Voltage: 500V AC

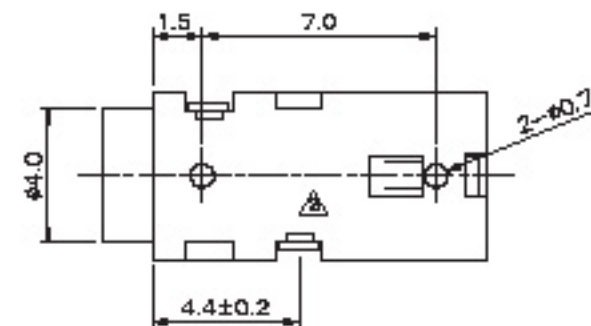
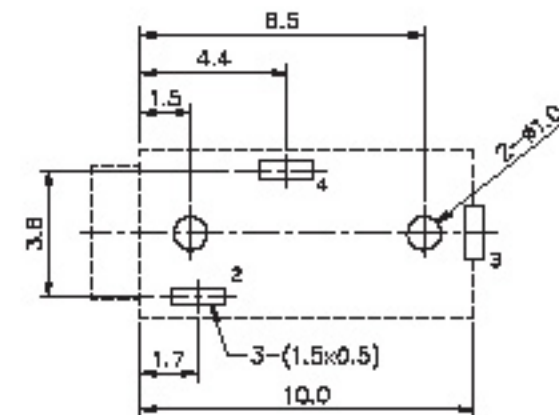
Insertion And Extraction Force: 3-20N

Life Test: 5000 Cycles



## P.C.B Layout

## Top View



## Schematic



4	Spring Piece	1	Phosphor Bronze	Sn-Plating
3	Spring Piece	1	Phosphor Bronze	Sn-Plating
2	Spring Piece	1	Phosphor Bronze	Sn-Plating
1	Housing	1	PAB8	
No.	Description	Q'ty	Material	Plating

MERITEC

<http://www.meritec.co.kr>

CATEGORY	APPROVED BY	MFI	UNLESS OTHERWISE SPECIFIED TOLERANCES ARE
PART No. FJRD3P?	CHECKED BY	BCKY	.X ±0.15
DRAWING No. FJRD3P?	DRAWING BY	TEF	3X ANG. ±1.5°
SCALE NONE	RFY.	A2	UNIT mm

UNLESS OTHERWISE SPECIFIED TOLERANCES ARE	
.X ±0.15	
3X ANG. ±1.5°	
UNIT mm	

A2	Modify Drawing	HZF	07/06/2008
A1	Modify Data	BCKY	10/28/2003
AD	NEW RELEASE	BCKY	
NO. REV.	REVISIONS	CHK	DATT