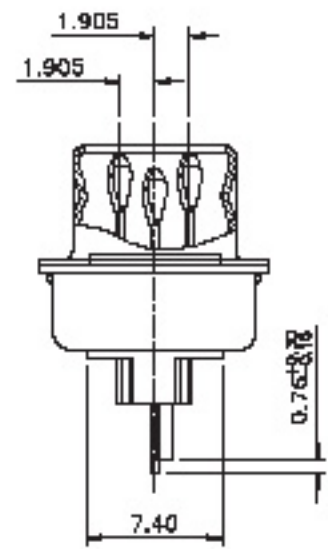
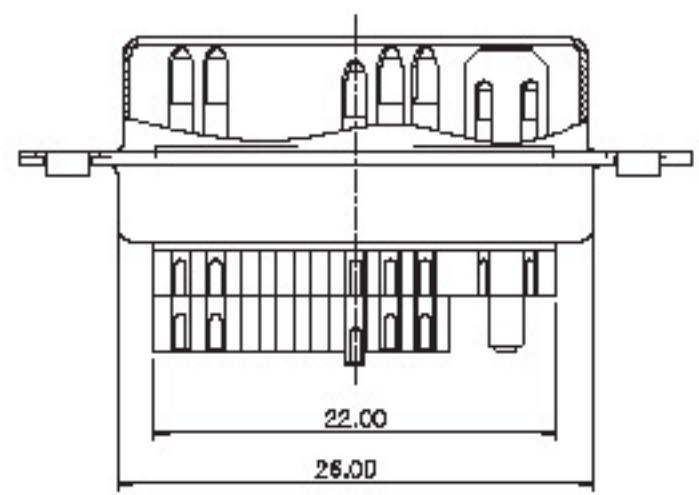


SPECIFICATIONS

Current Rating: 1.5A
 Voltage Rating: 40V
 Contact Resistance: 30 Milliohms Max.
 Insulation Resistance: 1000 Megohms Min. 500V DC
 Dielectric Withstanding Voltage: 500V AC
 Operating Temperature: $-20^{\circ}\text{C} \sim +80^{\circ}\text{C}$
 Insulator: PBT+30% G.F.
 Contact: Brass, Gold Plating Over Nickel
 Shell: SPCD



MERITEC

<http://www.meritec.co.kr>

CATEGORY		APPROVED BY		UNLESS OTHERWISE SPECIFIED TOLERANCES ARE					
PART No. DV112+SPS		MFI		X ±0.30 J* ±2*					
DRAWING No. DV112+SPS		SHIN		M ±0.20 J* ±1*					
SCALE NONE		H7F		K ±0.15 J* ±0.2*					
RFY.	AO	UNIT	mm	NO. REV.	AD	NEW RELEASE	SHIN	05/19/2006	
						REVISIONS	CHK	DATE	