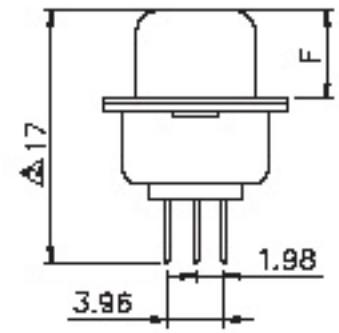
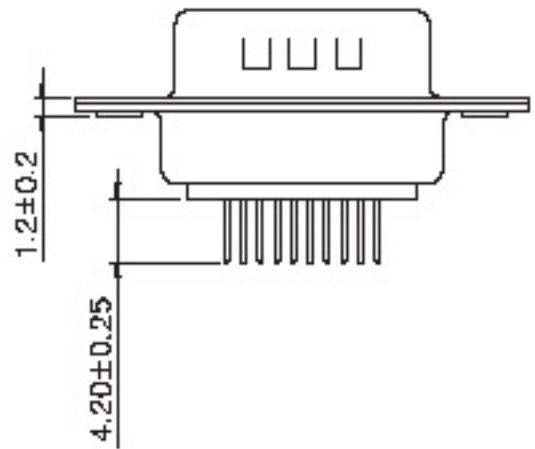


**SPECIFICATION:**  
 Current Rating : 1A  
 Dielectric Voltage : 1000V At 1 Minute  
 Insulation Resistance: 1000 Megohms Min At 500V  
 Contact Resistance : 25 Milliohms Max.  
 Operating Temperature : -55°C To +105°C  
 Mating Cycles : 3000 Cycles Min.  
 Contact : Copper Alloy,Gold Flashed  
 Insulator :P.B.T. UL 94V-0 Rated  
 Shell : Cold Rolled Steel,Nickel,Tin Zinc Plated



Position	A±0.25	B±0.25	C±0.25	D±0.25	E±0.25	F±0.25
15	30.80	25.00	16.82	8.30	12.60	5.90
26	39.20	33.32	25.25	8.30	12.60	5.90
44	53.05	47.04	38.98	8.30	12.80	5.90
62	69.40	63.50	55.42	8.30	12.80	5.90

**MERITEC**  
<http://www.meritec.co.kr>

CATEGORY		D-SUB		APPROVED BY		MOI		UNLESS OTHERWISE SPECIFIED TOLERANCES ARE					
PART No.		HDDXXP		CHECKED BY		RAN		.X		A2		Add Dim. 17	
DRAWING No.		HDDXXP		DRAWING BY		LXH		JON		A1		Add Pin & Del Pin	
SCALE		NONE		RFY.		A2		JANG		AD		NEW RELEASE	
								UNIT		NO. REV.		REVISIONS	
								mm				CHK	
								DATE				DATE	