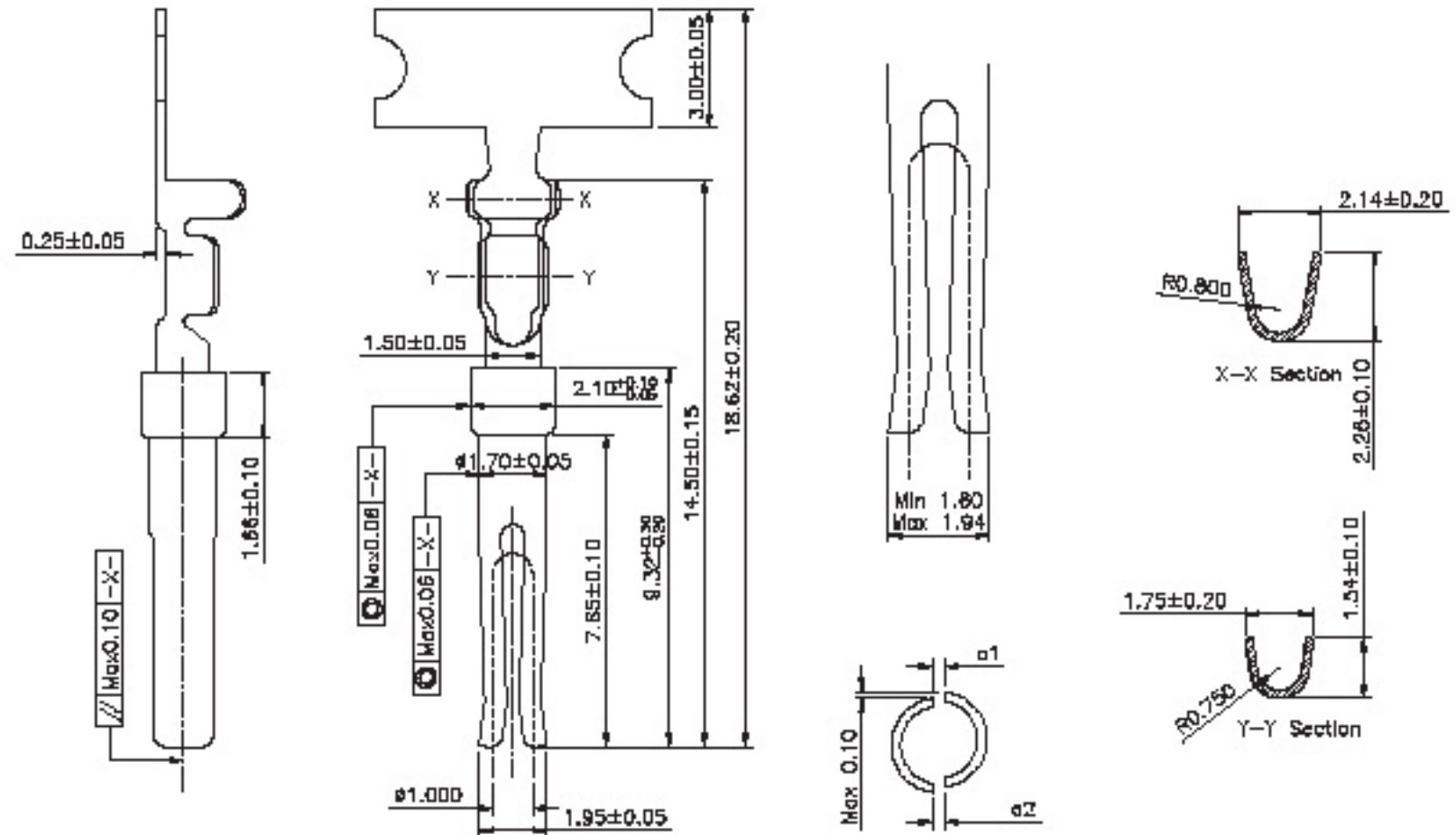


**SPECIFICATIONS**

Finish: Under Plated: Nickel  
Tin Plated Overall



**MERITEC**

<http://www.meritec.co.kr>

CATEGORY		APPROVED BY		UNLESS OTHERWISE SPECIFIED TOLERANCES ARE .X ±0.38 .XX ±0.75 ANG.				
PART No.		CHECKED BY						
DRAWING No.		DRAWING BY						
SCALE	NONE	RFY.	AO		UNIT	mm	NO. REV.	AD NEW RELEASE
						REVISIONS	CHK	DATE