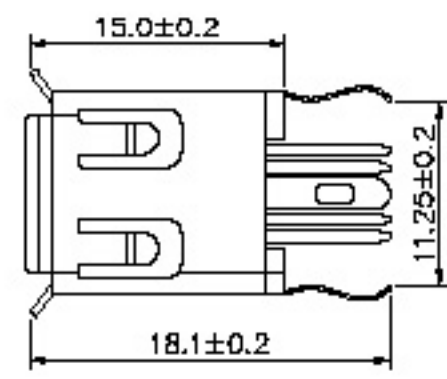
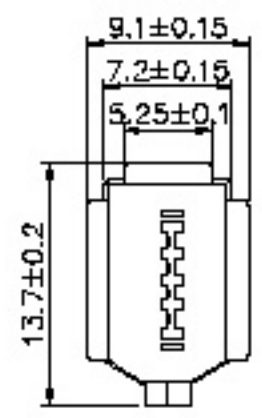


P.C.B. Layout

SPECIFICATION:
 Current Rating : 1 A
 Dielectric Voltage : 1000V At 1 Minute
 Insulation Resistance: 1000 Megohms Min At 500V
 Contact Resistance : 25 Milliohms Max.
 Operating Temperature : -55°C To +105°C
 Mating Cycles : 1500 Cycles Min.
 Contact : Phosphor Bronze,Gold Flashed 10u",15u",20u"30u"
 Insulator :PBT UL94V-0 Rated
 Shell : Copper Alloy,Tin Plated



MERITEC

<http://www.mertec.co.kr>

CATEGORY		APPROVED BY		UNLESS OTHERWISE SPECIFIED TOLERANCES ARE					
PART No.		CHECKED BY							
DRAWING No.		DRAWING BY							
SCALE	NONE	RFY.	A	UNIT	mm	REVISED	CHK	DATT	