

P.C.B. Layout

SPECIFICATION:

Current Rating : 1 A

Dielectric Voltage : 1000V At 1 Minute

Insulation Resistance: 1000 Megohms Min At 500V

Contact Resistance : 25 Milliohms Max.

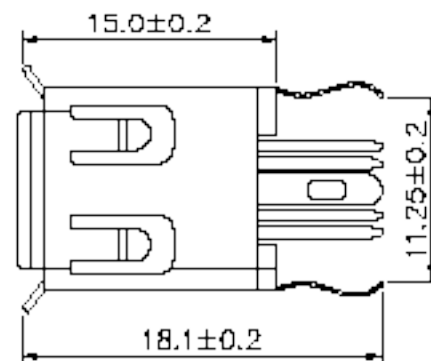
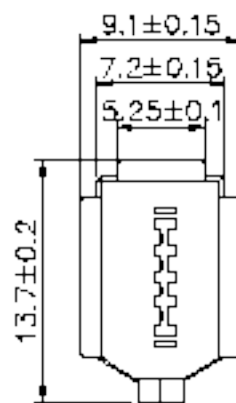
Operating Temperature : -55°C To +105°C

Mating Cycles : 1500 Cycles Min.

Contact : Phosphor Bronze, Gold Flashed 10u", 15u", 20u", 30u"

Insulator : PBT UL94V-0 Rated

Shell : Copper Alloy, Tin Plated

**MERITEC**<http://www.meritec.co.kr>CATEGORY
ICCT 1394APPROVED BY
MCIUNLESS OTHERWISE
SPECIFIED
TOLERANCES AREPART No.
FW2a03SDCHECKED BY
RAN

JK

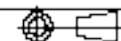
DRAWING No.
FW2a03SDDRAWING BY
LXH

JOK

JOKX

SCALE
NONE

RFY. A

UNIT
mm

AR/A

REVISIONS

CHK

DATE